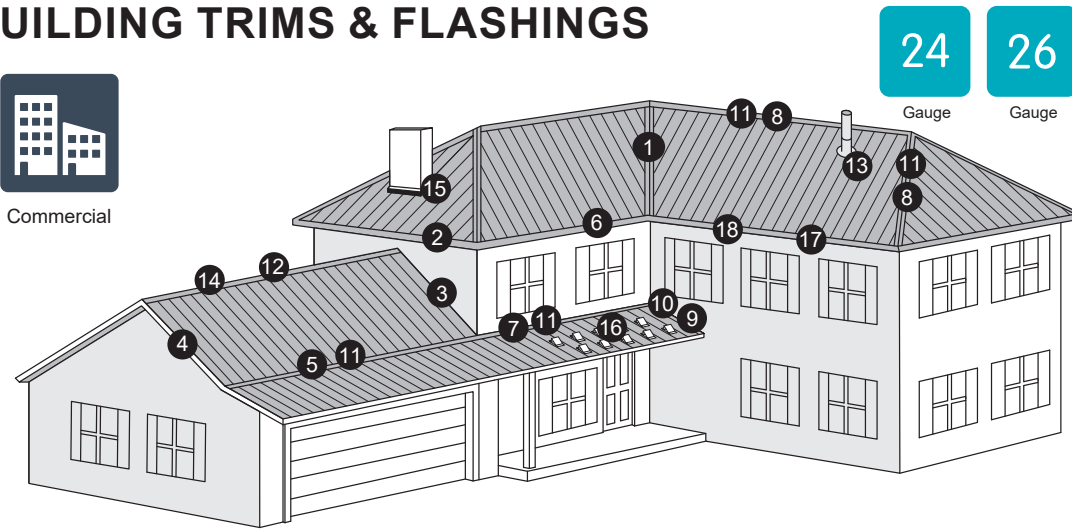


PRO-LOCK BUILDING TRIMS & FLASHINGS



Please note that the numbers are for illustration purposes only. When ordering, please refer to pages PL-10 to PL-24 for trim and flashing part #'s.



TRIMS AND FLASHING FOR HIDDEN OR EXPOSED FASTENER APPLICATIONS

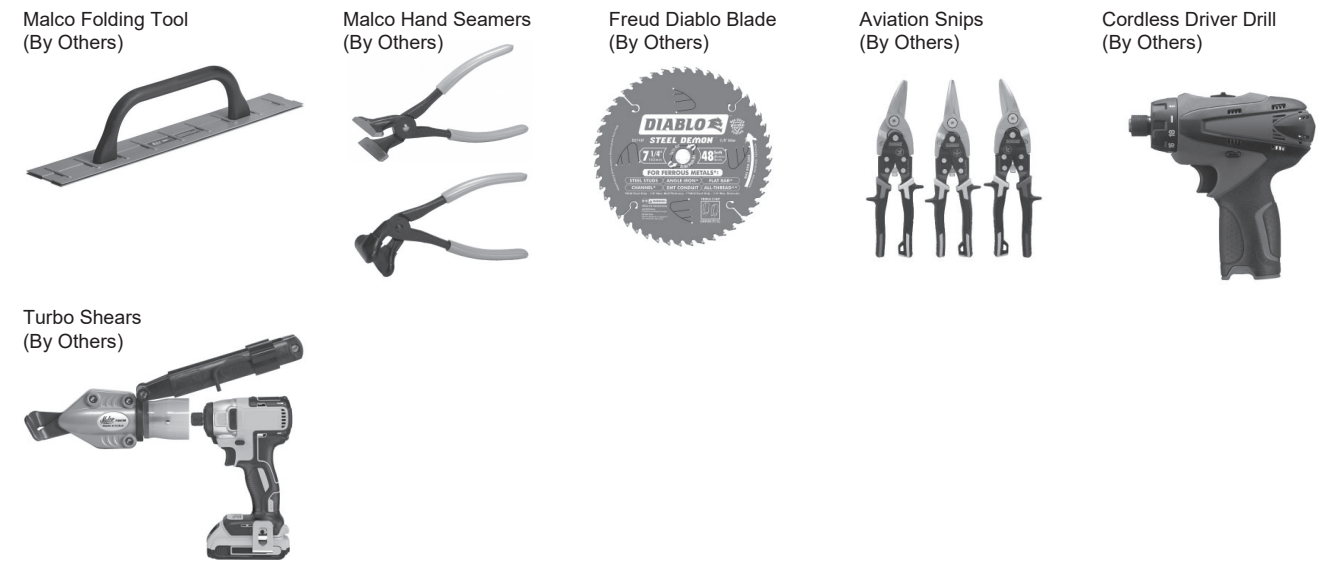
<p>1 C17 W Valley Flashing (24" or 36")</p>	<p>2 C7P, 28P, 29P Eave/Rake Flashing</p>	<p>3 C15P Sidewall Flashing</p>	<p>4 C6P, 30P, 31P Gable</p>
<p>5 C26 Pitch Break Flashing</p>	<p>6 C66P Extended Eave</p>	<p>7 C14P Endwall Flashing</p>	<p>8 C12B Ridge Cover C41 12" LP Ridge Cover</p>
<p>9 C65P Counter Flashing (Used with Sidewall/Endwall)</p>	<p>10 C67P Reglet Flashing (Used with Sidewall/Endwall)</p>	<p>11 C60P Z Closure</p>	<p>16 C21 Bigfoot Snow Stop</p>
<p>17 C32B, 33B, 34B, 35B Fascia</p>	<p>18 Pro-Rib Metal Soffit</p>	<p>TRIMS FOR HIDDEN FASTENER METHOD - FOR COMPLETE INSTALLATION INSTRUCTIONS OF THESE TRIMS, REFER TO OUR INSTALL GUIDE AT WWW.DOMTEK.CA.</p>	
		<p>C63P Cleat</p>	<p>C64P Offset Cleat</p>

PRO-LOCK BUILDING ACCESSORIES

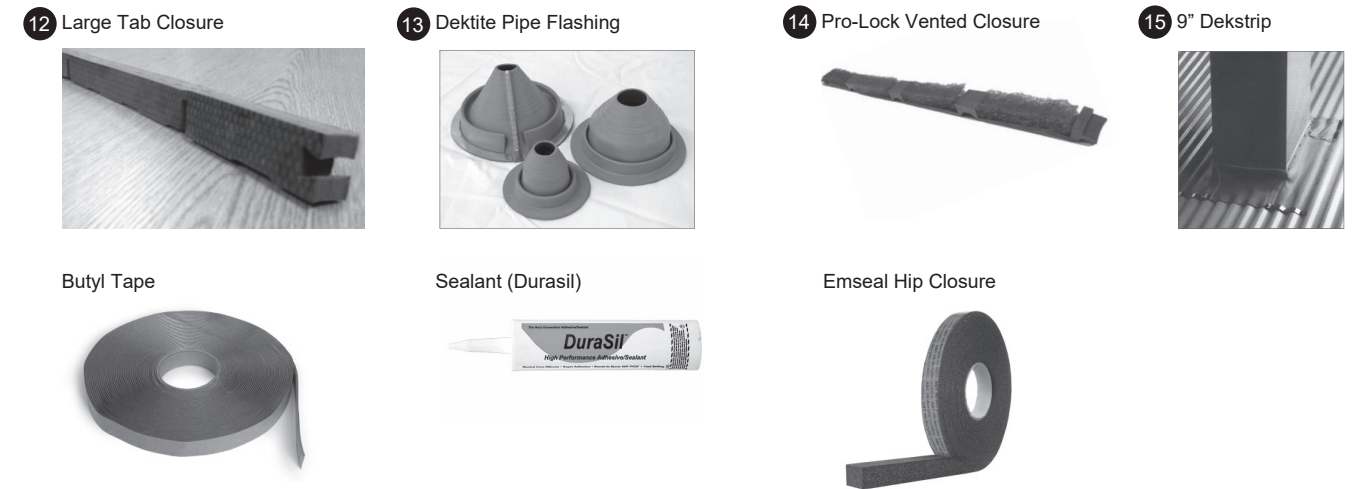
FASTENERS



RECOMMENDED TOOLS



ACCESSORIES

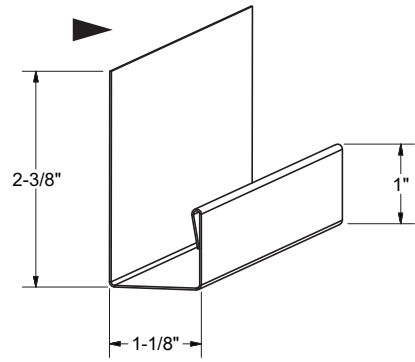


26 GA. PRO-LOCK TRIMS

(P.P. Indicates Pre-Painted)

Length

10' 6" 12' 6" 14' 6" 16' 6"



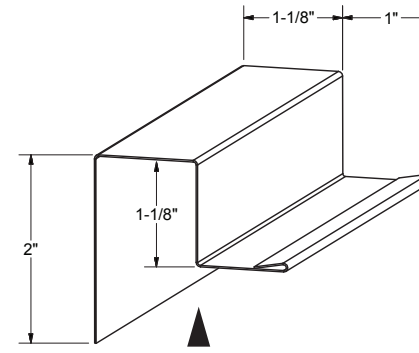
C1/1 1/8	1.125" J Trim P.P.	•	•	•	•
C1/1 1/8	1.125" J Trim Galv.	•	•	•	•

26 GA. PRO-LOCK TRIMS

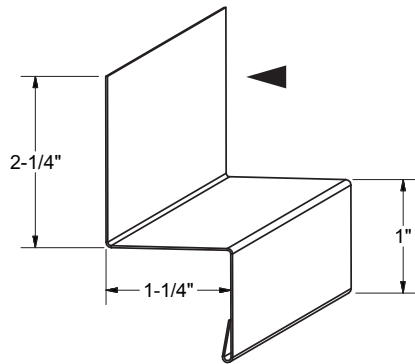
(P.P. Indicates Pre-Painted)

Length

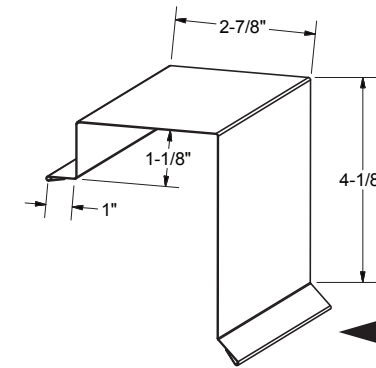
10' 6" 12' 6" 14' 6" 16' 6"



C5/1 1/8	1.125" Inside Corner P.P.	•	•	•	•
C5/1 1/8	1.125" Inside Corner Galv.	•	•	•	•

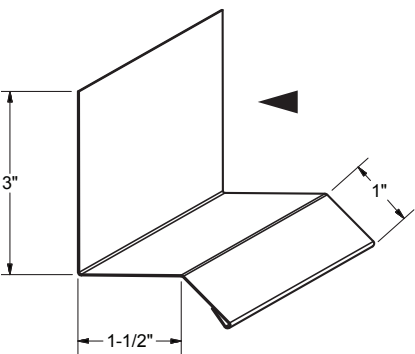


C2/1 1/4	1.25" Base / Divider P.P.	•	•	•	•
C2/1 1/4	1.25" Base / Divider Galv.	•	•	•	•

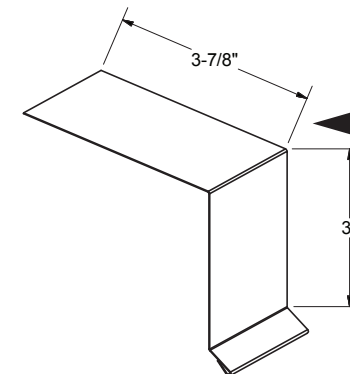


C6P	Gable Flashing P.P.	•	•	•	•
C6P	Gable Flashing Galv.	•	•	•	•

· Use with C7P Rake/Eave Flashing

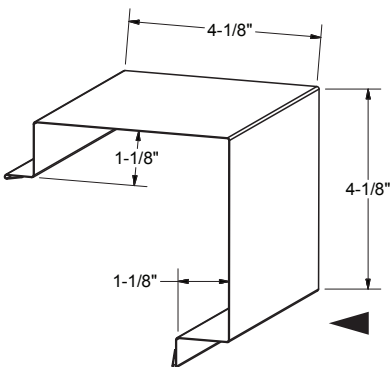


C3	Drip Flashing P.P.	•	•	•	•
C3	Drip Flashing Galv.	•	•	•	•

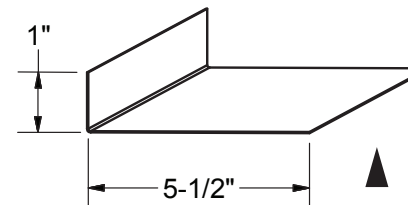


C7P	Rake / Eave Flashing P.P.	•	•	•	•
C7P	Rake / Eave Flashing Galv.	•	•	•	•

· Use with C6P Gable Flashing



C4P	Outside Corner P.P.	•	•	•	•
C4P	Outside Corner Galv.	•	•	•	•



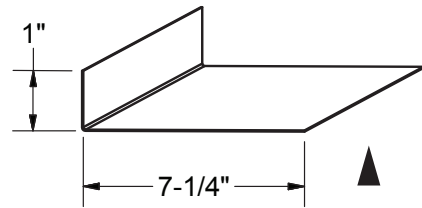
C10	5.50 Header Trim P.P.	•	•	•	•
C10	5.50 Header Trim Galv.	•	•	•	•

26 GA. PRO-LOCK TRIMS

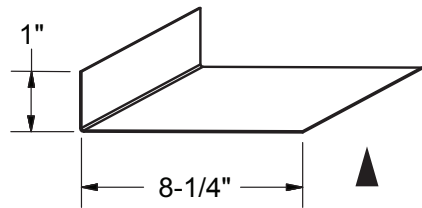
(P.P. Indicates Pre-Painted)

Length

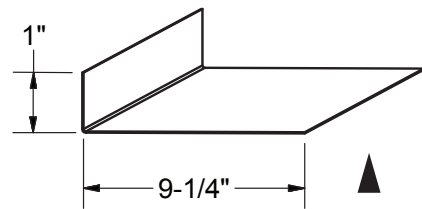
10' 6" 12' 6" 14' 6" 16' 6"



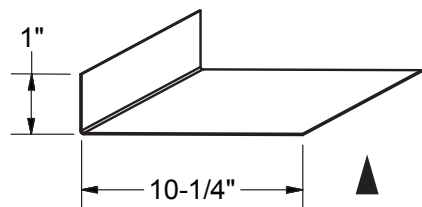
C10	7.25 Header Trim P.P.	•	•	•	•
C10	7.25 Header Trim Galv.	•	•	•	•



C10	8.25 Header Trim P.P.	•	•	•	•
C10	8.25 Header Trim Galv.	•	•	•	•



C10	9.25 Header Trim P.P.	•	•	•	•
C10	9.25 Header Trim Galv.	•	•	•	•



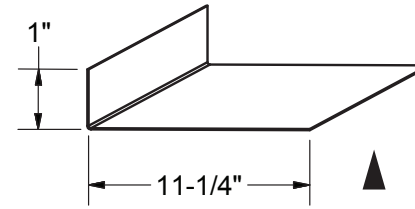
C10	10.25 Header Trim P.P.	•	•	•	•
C10	10.25 Header Trim Galv.	•	•	•	•

26 GA. PRO-LOCK TRIMS

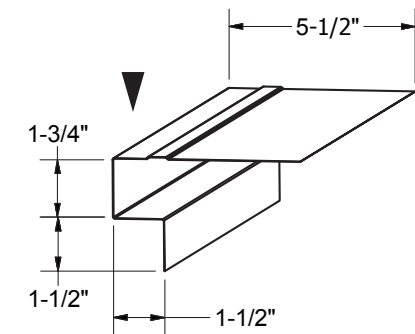
(P.P. Indicates Pre-Painted)

Length

10' 6" 12' 6" 14' 6" 16' 6"

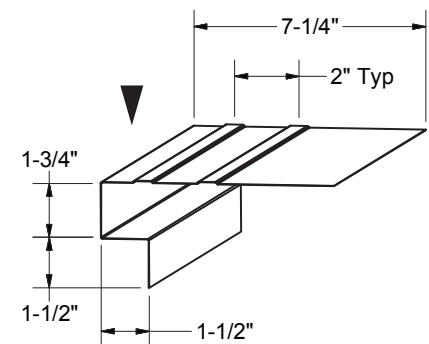


C10	11.25 Header Trim P.P.	•	•	•	•
C10	11.25 Header Trim Galv.	•	•	•	•



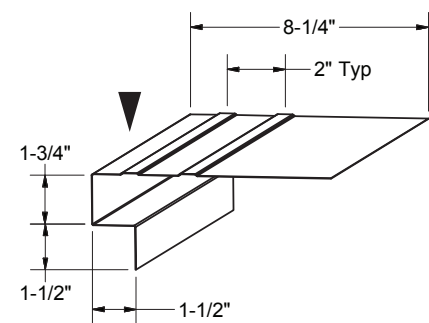
C11B	5.50 Door Jamb Flashing P.P.	•	•	•	•
C11B	5.50 Door Jamb Flashing Galv.	•	•	•	•

· Available with or without stiffening ribs.



C11B	7.25 Door Jamb Flashing P.P.	•	•	•	•
C11B	7.25 Door Jamb Flashing Galv.	•	•	•	•

· Available with or without stiffening ribs.



C11B	8.25 Door Jamb Flashing P.P.	•	•	•	•
C11B	8.25 Door Jamb Flashing Galv.	•	•	•	•

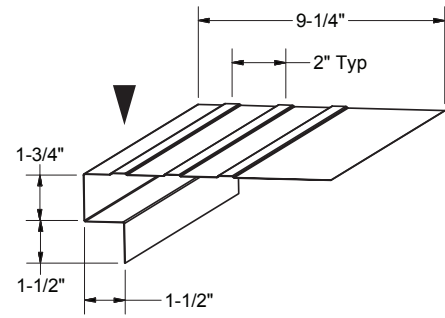
· Available with or without stiffening ribs.

26 GA. PRO-LOCK TRIMS

(P.P. Indicates Pre-Painted)

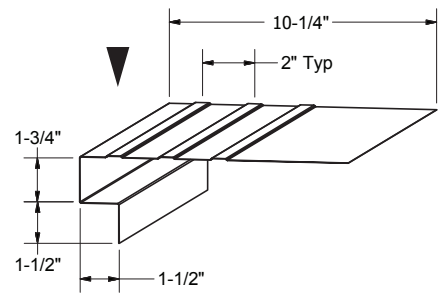
Length

10' 6" 12' 6" 14' 6" 16' 6"



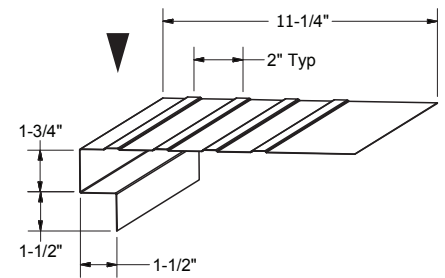
C11B	9.25 Door Jamb Flashing P.P.	•	•	•	•
C11B	9.25 Door Jamb Flashing Galv.	•	•	•	•

• Available with or without stiffening ribs.



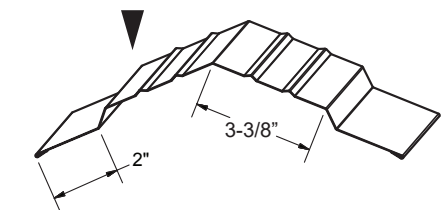
C11B	10.25 Door Jamb P.P.	•	•	•	•
C11B	10.25 Door Jamb Galv.	•	•	•	•

• Available with or without stiffening ribs.



C11B	11.25 Door Jamb P.P.	•	•	•	•
C11B	11.25 Door Jamb Galv.	•	•	•	•

• Available with or without stiffening ribs.



C12B	12" Ridge Cover P.P.	•	•	•	•
C12B	12" Ridge Cover Galv.	•	•	•	•

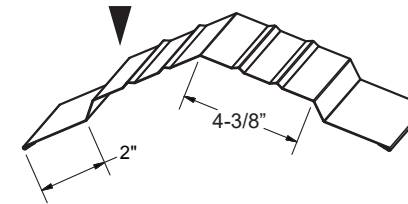
• 2" Tru-Grip fastener is recommended for installation.

26 GA. PRO-LOCK TRIMS

(P.P. Indicates Pre-Painted)

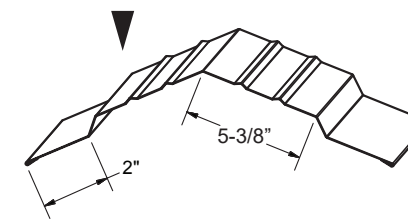
Length

10' 6" 12' 6" 14' 6" 16' 6"



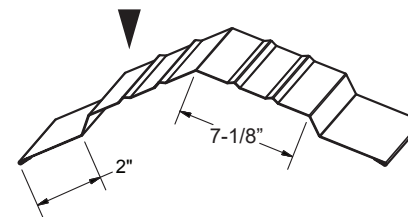
C12B/14	14" Ridge Cover P.P.	•	•	•	•
C12B/14	14" Ridge Cover Galv.	•	•	•	•

• 2" Tru-Grip fastener is recommended for installation.



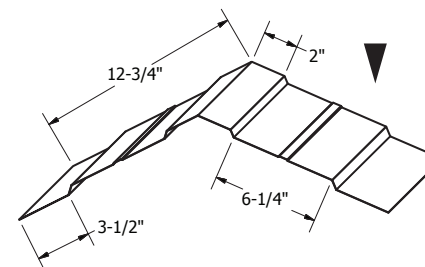
C12B/16	16" Ridge Cover P.P.	•	•	•	•
C12B/16	16" Ridge Cover Galv.	•	•	•	•

• 2" Tru-Grip fastener is recommended for installation.



C12B/20	20" Ridge Cover P.P.	•	•	•	•
C12B/20	20" Ridge Cover Galv.	•	•	•	•

• 2" Tru-Grip fastener is recommended for installation.



C-12B/24	24" Ridge Cover P.P.	•	•	•	•
C-12B/24	24" Ridge Cover Galv.	•	•	•	•

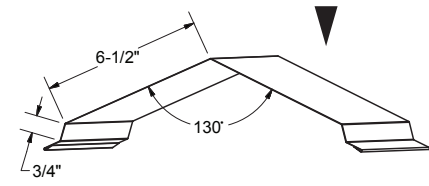
• Matches 24" Coverlite polycarbonate Ridge Cover. 2" Tru-Grip fastener is recommended for installation.

26 GA. PRO-LOCK TRIMS

(P.P. Indicates Pre-Painted)

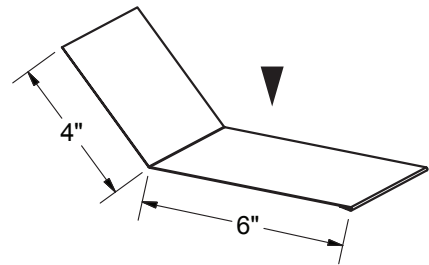
Length

10' 6" 12' 6" 14' 6" 16' 6"

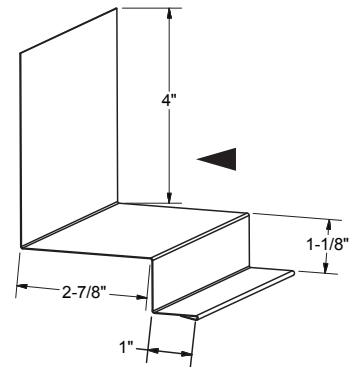


C12SP	16" Ridge Cover-SP P.P.	•	•	•	•
C12SP	16" Ridge Cover-SP Galv.	•	•	•	•

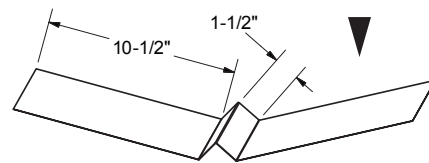
· 2" Tru-Grip fastener is recommended for exposed fastener installations.



C14P	Endwall Flashing P.P.	•	•	•	•
C14P	Endwall Flashing Galv.	•	•	•	•



C15P	Side Wall Flashing P.P.	•	•	•	•
C15P	Side Wall Flashing Galv.	•	•	•	•



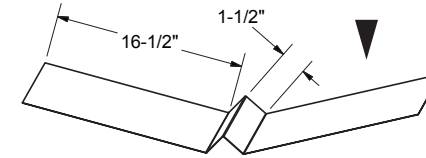
C17/24	24" W Valley P.P.	•	•	N/A	N/A
C17/24	24" W Valley Galv.	•	•	N/A	N/A

26 GA. PRO-LOCK TRIMS

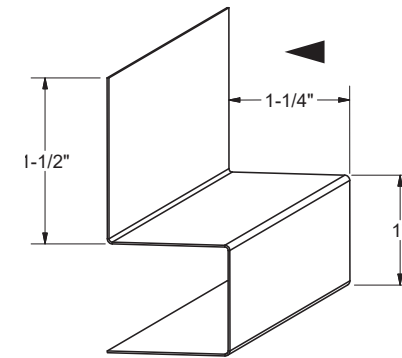
(P.P. Indicates Pre-Painted)

Length

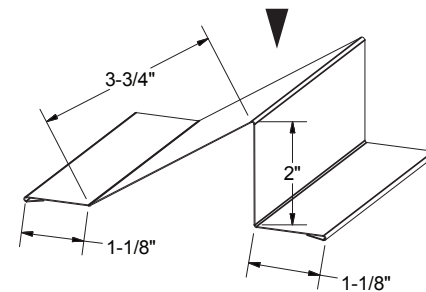
10' 6" 12' 6" 14' 6" 16' 6"



C17/36	36" W Valley P.P.	•	•	N/A	N/A
C17/36	36" W Valley Galv.	•	•	N/A	N/A

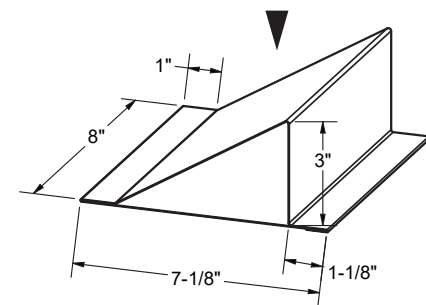


C19/1 1/4	1.25" Box Base P.P.	•	•	•	•
C19/1 1/4	1.25" Box Base Galv.	•	•	•	•



C20	2" Snow Guard P.P.	•	•	•	•
C20	2" Snow Guard Galv.	•	•	•	•

· 2-1/2" Tru-Grip fastener is recommended for installation.



		8"
C21	Bigfoot Snow Stops P.P.	•
C21	Bigfoot Snow Stops Galv.	•

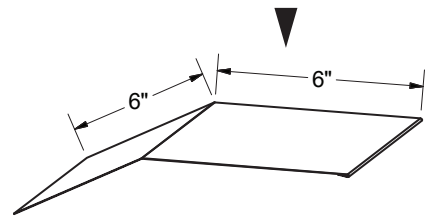
· Sold per piece.
· Each box includes up to 10 snow stops and 1 tube of Durasil. Durasil sold separately.

26 GA. PRO-LOCK TRIMS

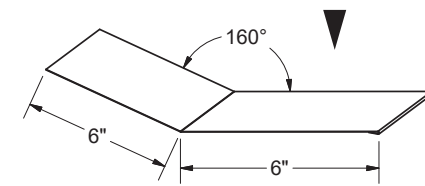
(P.P. Indicates Pre-Painted)

Length

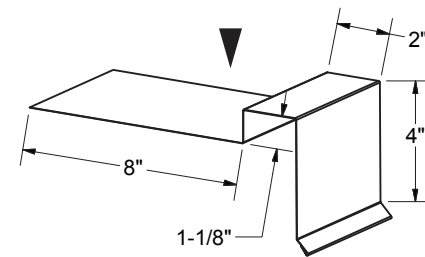
10' 6" 12' 6" 14' 6" 16' 6"



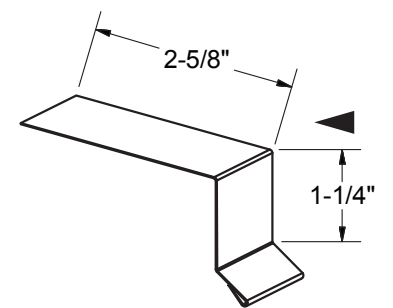
C25	Gambrel P.P.	•	•	•	•
C25	Gambrel Galv.	•	•	•	•



C26	Pitch Break P.P.	•	•	•	•
C26	Pitch Break Galv.	•	•	•	•



C27P	Prow Flashing P.P.	•	•	•	•
C27P	Prow Flashing Galv.	•	•	•	•



C28P	1.25 Rake Flashing P.P.	•	•	•	•
C28P	1.25 Rake Flashing Galv.	•	•	•	•

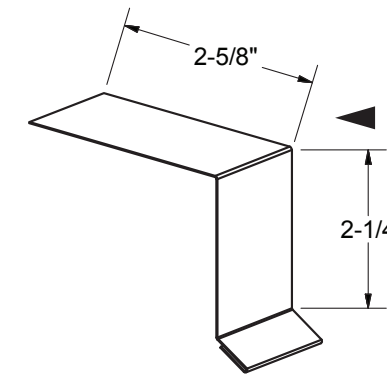
· Use with C30P 2.375" Gable Flashing

26 GA. PRO-LOCK TRIMS

(P.P. Indicates Pre-Painted)

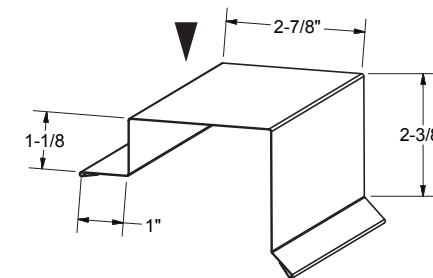
Length

10' 6" 12' 6" 14' 6" 16' 6"



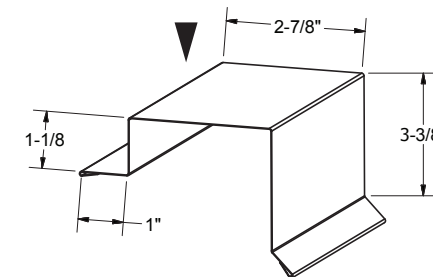
C29P	2.25 Rake Flashing P.P.	•	•	•	•
C29P	2.25 Rake Flashing Galv.	•	•	•	•

· Use with C31P 3.375" Gable Flashing



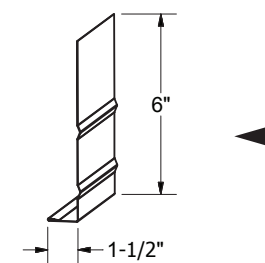
C30P	2.375 Gable Flashing P.P.	•	•	•	•
C30P	2.375 Gable Flashing Galv.	•	•	•	•

· Use with C28P 1.25 Rake Flashing



C31P	3.375 Gable Flashing P.P.	•	•	•	•
C31P	3.375 Gable Flashing Galv.	•	•	•	•

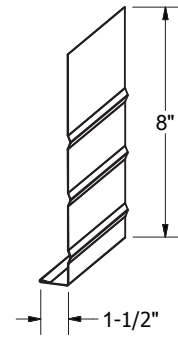
· Use with C29P 2.25 Rake Flashing



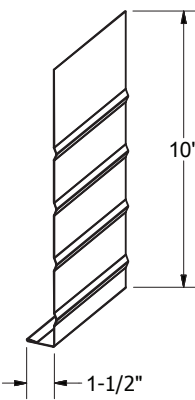
C32B	6" Steel Fascia P.P.	•	•	•	•
C32B	6" Steel Fascia Galv.	•	•	•	•

26 GA. PRO-LOCK TRIMS
(P.P. Indicates Pre-Painted)

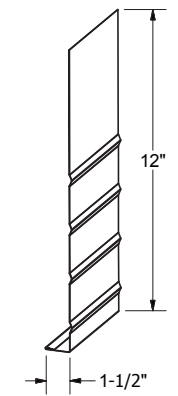
Length
10' 6" 12' 6" 14' 6" 16' 6"



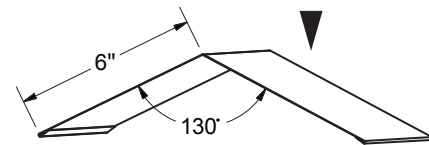
C33B	8" Steel Fascia P.P.	•	•	•	•
C33B	8" Steel Fascia Galv.	•	•	•	•



C34B	10" Steel Fascia P.P.	•	•	•	•
C34B	10" Steel Fascia Galv.	•	•	•	•



C35B	12" Steel Fascia P.P.	•	•	•	•
C35B	12" Steel Fascia Galv.	•	•	•	•

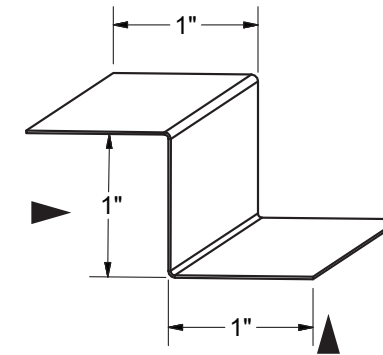


C41	12" LP Ridge Cover P.P.	•	•	•	•
C41	12" LP Ridge Cover Galv.	•	•	•	•

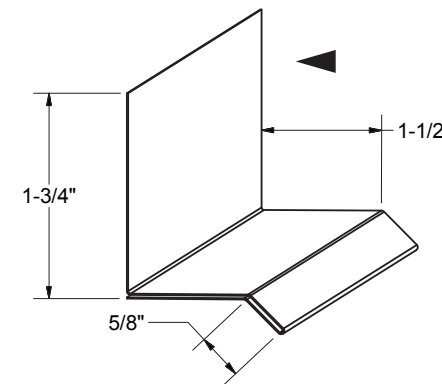
• 2" Tru-Grip fastener is recommended for exposed fastener installations.

26 GA. PRO-LOCK TRIMS
(P.P. Indicates Pre-Painted)

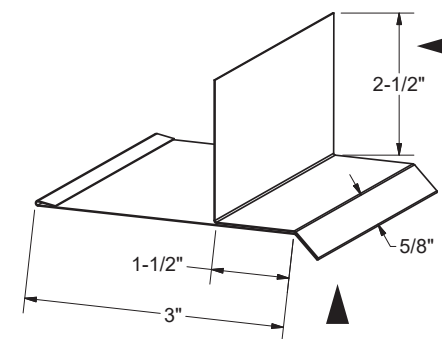
Length
10' 6" 12' 6" 14' 6" 16' 6"



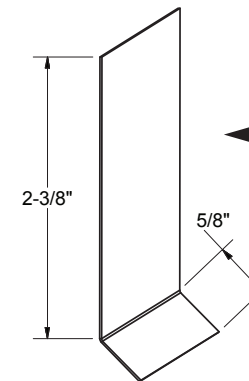
C60P	Z Trim P.P.	•	•	N/A	N/A
C60P	Z Trim Galv.	•	•	N/A	N/A



C61P	Header Base P.P.	•	•	N/A	N/A
C61P	Header Base Galv.	•	•	N/A	N/A



C62	Fascia to Soffit P.P.	•	•	•	•
C62	Fascia to Soffit Galv.	•	•	•	•



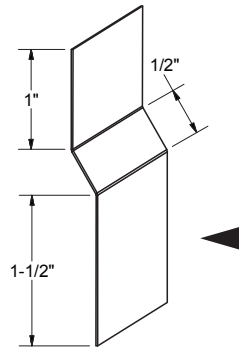
C63P	Cleat P.P.	•	•	N/A	N/A
C63P	Cleat Galv.	•	•	N/A	N/A

26 GA. PRO-LOCK TRIMS

(P.P. Indicates Pre-Painted)

Length

10' 6" 12' 6" 14' 6" 16' 6"



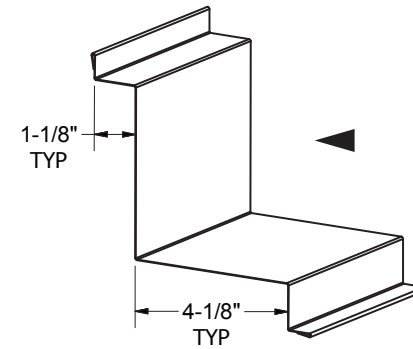
C64P	Offset Cleat P.P.	•	•	N/A	N/A
C64P	Offset Cleat Galv.	•	•	N/A	N/A

26 GA. PRO-LOCK TRIMS

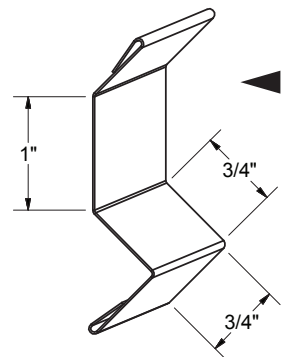
(P.P. Indicates Pre-Painted)

Length

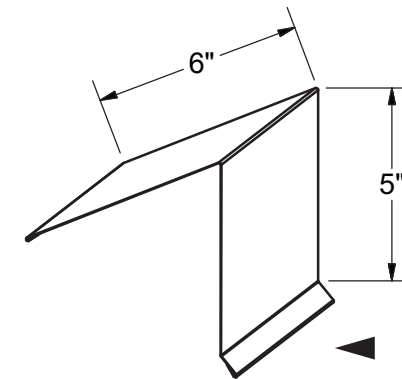
10' 6" 12' 6" 14' 6" 16' 6"



C70P	Inside Corner P.P.	•	•	•	•
C70P	Inside Corner Galv.	•	•	•	•

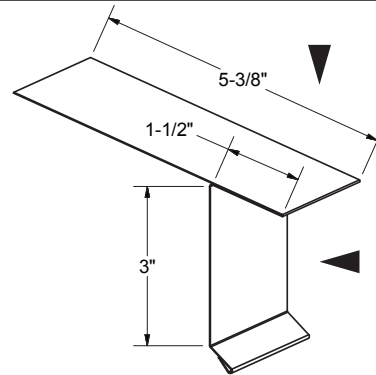


C65P	Counter Trim P.P.	•	•	•	•
C65P	Counter Trim Galv.	•	•	•	•

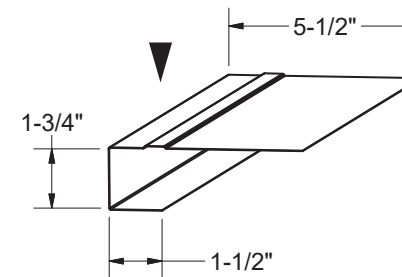


C72	Peak Flashing P.P.	•	•	•	•
C72	Peak Flashing Galv.	•	•	•	•

• 2" Tru-Grip fastener is recommended for installation.

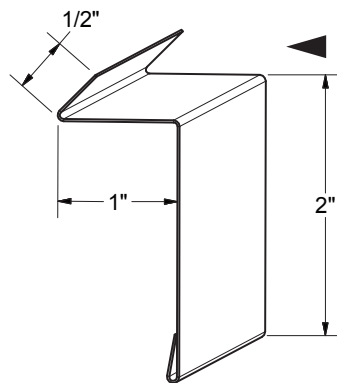


C66P	Extended Eave P.P.	•	•	•	•
C66P	Extended Eave Galv.	•	•	•	•

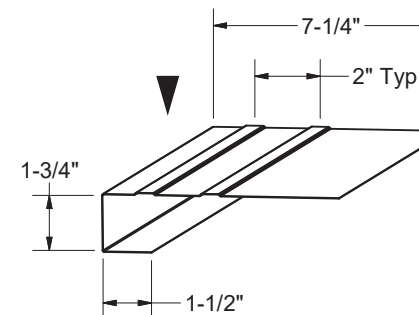


C73B	5.50 Door Jamb Flashing P.P.	•	•	•	•
C73B	5.50 Door Jamb Flashing Galv.	•	•	•	•

• Available with or without stiffening ribs.



C67P	Reglet P.P.	•	•	•	•
C67P	Reglet Galv.	•	•	•	•



C73B	7.25 Door Jamb Flashing P.P.	•	•	•	•
C73B	7.25 Door Jamb Flashing Galv.	•	•	•	•

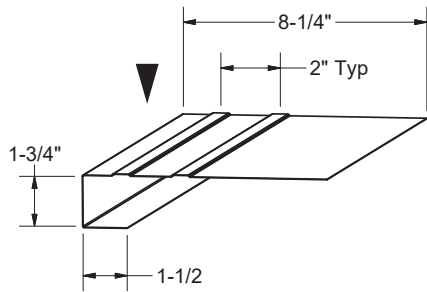
• Available with or without stiffening ribs.

26 GA. PRO-LOCK TRIMS

(P.P. Indicates Pre-Painted)

Length

10' 6" 12' 6" 14' 6" 16' 6"



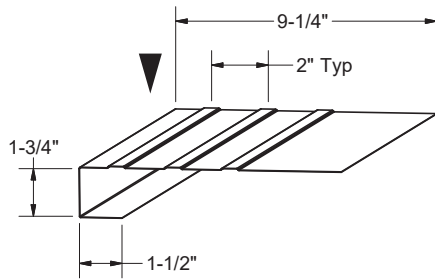
C73B 8.25 Door Jamb Flashing P.P.

• • • •

C73B 8.25 Door Jamb Flashing Galv.

• • • •

· Available with or without stiffening ribs.



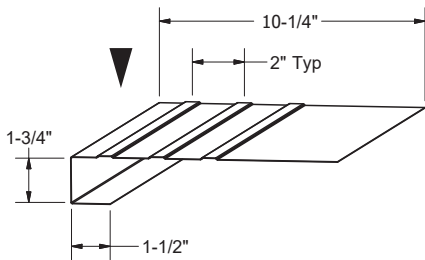
C73B 9.25 Door Jamb Flashing P.P.

• • • •

C73B 9.25 Door Jamb Flashing Galv.

• • • •

· Available with or without stiffening ribs.



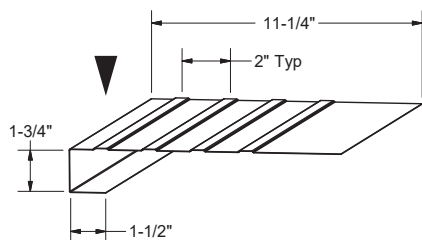
C73B 10.25 Door Jamb Flashing P.P.

• • • •

C73B 10.25 Door Jamb Flashing Galv.

• • • •

· Available with or without stiffening ribs.



C73B 11.25 Door Jamb Flashing P.P.

• • • •

C73B 11.25 Door Jamb Flashing Galv.

• • • •

· Available with or without stiffening ribs.